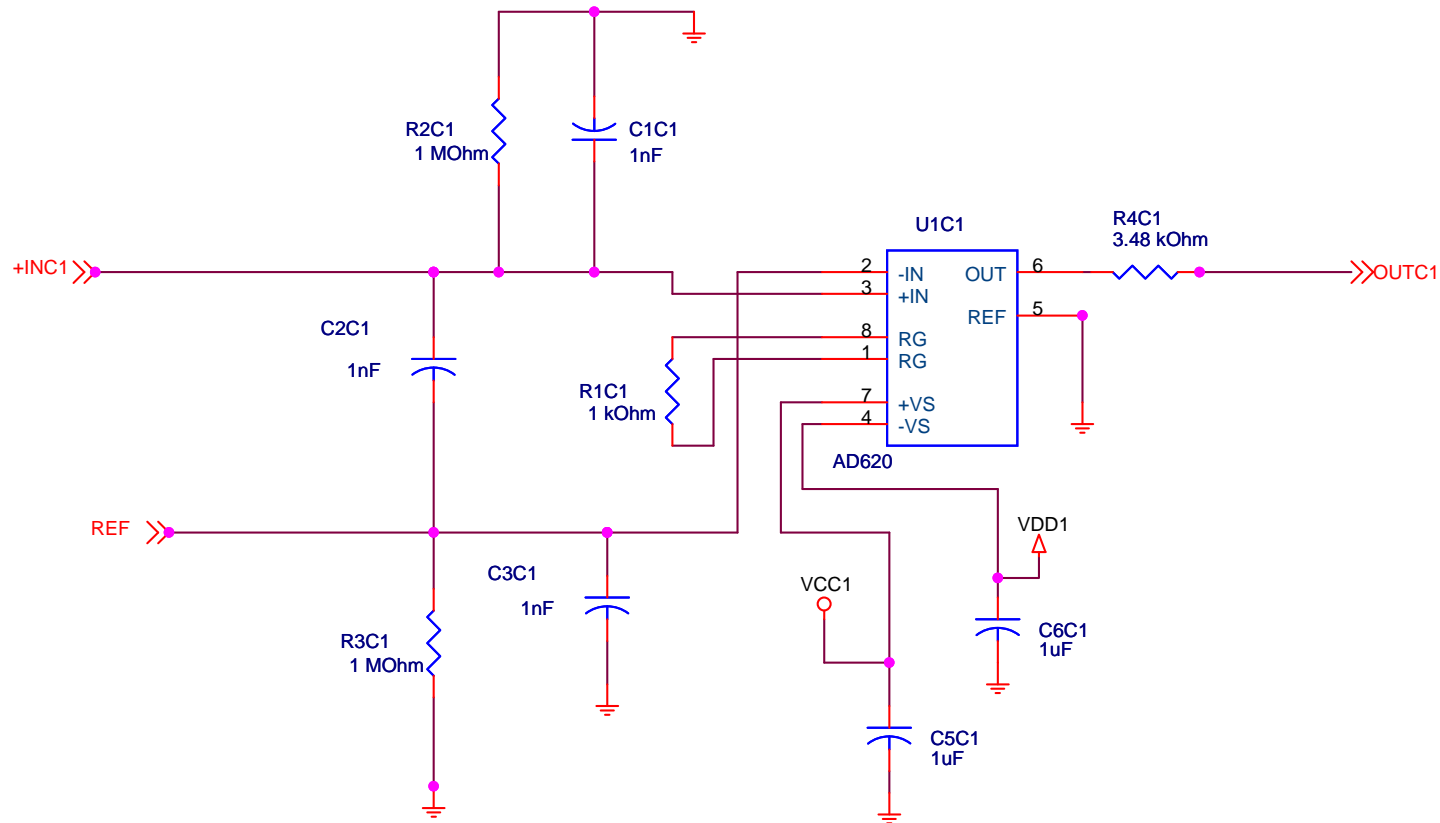


The ends of the aluminum coated chassis (Pactec LH64-130) must be made out of dual-sided copper pcb material.



MGH/MIT/HMS Athinoula A. Martinos Center  
for Biomedical Imaging

Title		
<Pre Amp 32 channel, march 2007>		
Size	Document Number	Rev
A	PCBPreAmp0504-2	2.0
Date:	Wednesday, March 21, 2007	Sheet 1 of 1